



**See A4 artwork page for the list of what you will need.**

This kit consists of 7 strips of paper which if laid end to end will reach the length of approximately two metres. (But, we are not going to keep them apart, we are going to bring them together).

This festive bauble is made from interlaced hoops. Its construction method harks back to the ancient craft of basket weaving. Each strip of paper is a waiting to join up with its other end and become a hoop. You might find it helpful when putting it together to keep in mind a rule of weaving:  
 Alternating **OVER then UNDER, then OVER/UNDER** etc.  
 Apply this to each of the strips of paper as it weaves its way in and out of the other hoops under construction.

The two ends of each strip have been labelled to help you during construction to join them up to complete each hoop. E.g., **1A joins to 1B, 2A to 2B**, etc.

To join the strip, interlock the cuts at either end so that the labelling is no longer visible when the ends are joined. See **figs. 1, 1a, 1b, 1c**.

No glue is required for this. But after finishing construction when you are sure how it all goes together, you may want to use some glue or sticky tape to secure the hoop joins and make the construction more durable.

**The method:**

This construction is fiddly but not difficult.

Firstly score along the two dotted white lines of **strip 7A 'hanging strip'** (this will make it easier to fold later).

Carefully cut out all 7 strips using the black lines as guides.

**\* Helpful Hint** - Copy the strip number/letter and write them on the reverse side in pencil.

Put **strip 7A** to one side. You will need this later.

At each end of the **strips 1, 2, 3, 4, 5 and 6** (below the numbering) you will find a **short black line** that stops half way across the strip.

**Make a cut** along this to where it stops halfway.

**STEP One - Strip 6**

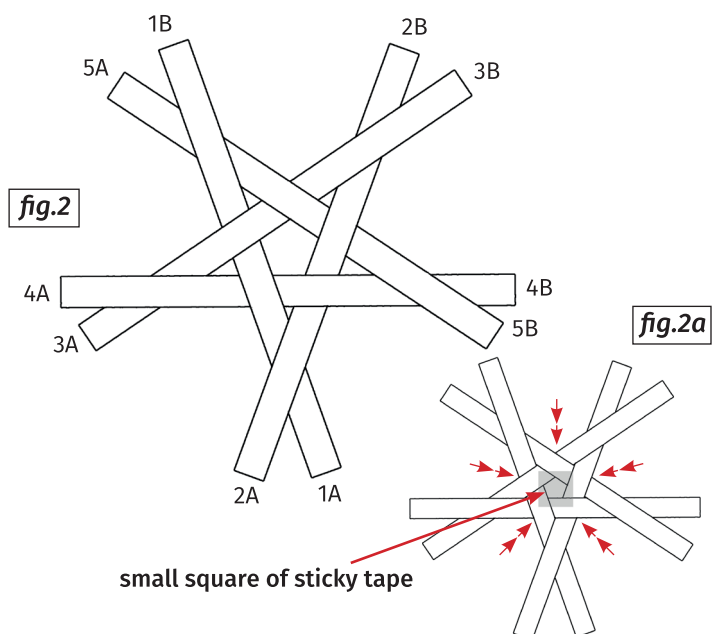
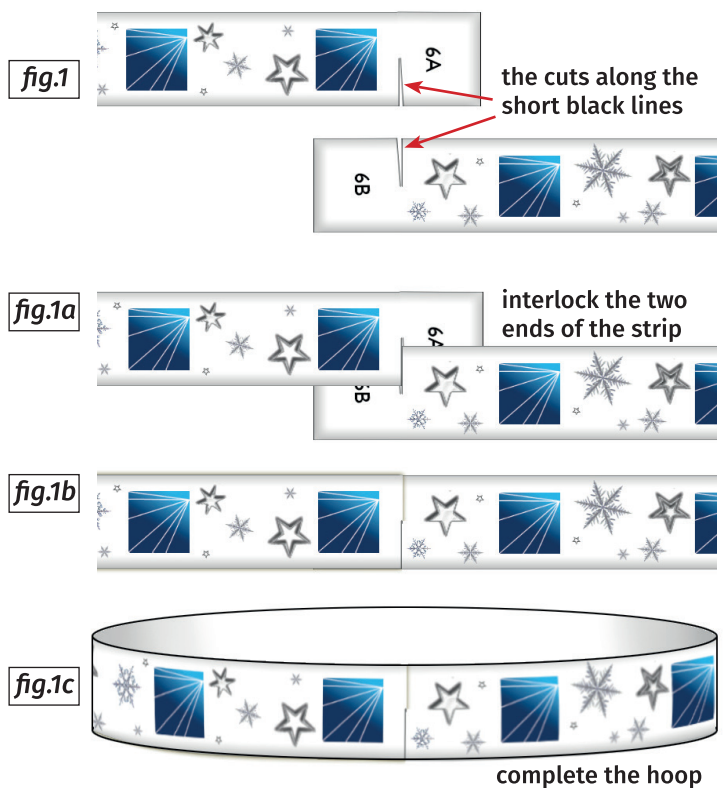
The two ends of **Strip 6** can now be brought together and interlocked to make a hoop. **see fig.1 / 1a / 1b / 1c**. You can use sticky tape to secure the connection.

**STEP two**

Using **strips 1, 2, 3, 4 and 5**, lay them out, printed image side face down in the star pattern as shown in **fig.2**. It is **important** that you pay careful attention to the way that they inter-weave (**OVER/UNDER**).

Close any gaps between the intersecting strips **fig.2a**, carefully adjust them all towards the centre. There should be a perfect five sided pentagon shaped hole at the centre.

**\* Helpful Hint** - Once you have done this, cut a piece of low tack sticky tape and position this across the centre hole as shown in **fig.2a**. This will help to hold together the relative positions of the paper strips. (Later on when the sphere construction is complete, the piece of sticky tape can be carefully removed).



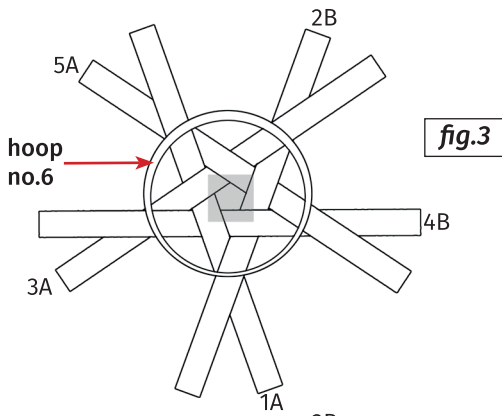


fig.3

**STEP three**

Hold **hoop no.6** (that you have already made) hovering over the laid out paper strips. **fig.3**. It is important which strip ends you lift up and position **inside** the hoop. These are the five flat strip ends that are '**underneath**' (1A, 3A, 5A, 2B,4B,) Raise these up inside the hoop. Start with **strip end 1A (fig.3a)** and work your way around to the others (**fig.3b**).

Now push **hoop no.6** gently down as far as it will go to touch the other paper strips, to help the five 'inside' strips stay in place.

**\* Helpful Hint** - If you have a small food bowl carefully lift the whole construction into it. This will help support it for the next steps.

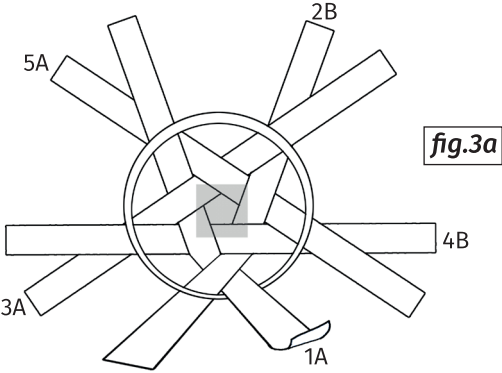


fig.3a

**STEP four**

Now for the remaining five strips that are outside the hoop (2A, 4A, 1B, 3B, 5B) **These must remain outside the hoop**, but be raised up and positioned 'across' the previously raised strips (that are already inside). See **fig.4** and compare to **fig.3b**.

This is fiddly, which is why the bowl is helpful.

Now join the strip ends by pairing their numbered other end and interlocking them **fig.4a** all the time being aware of the rule of weaving each strip **OVER/UNDER** any other strip or hoop it encounters. Start with end **1A**, (see **fig.4**) this must be paired with **1B**. (**figs. 4a/4b** show an interlocking example).

The next pairing is **2A/2B**, and so on in clockwise order.

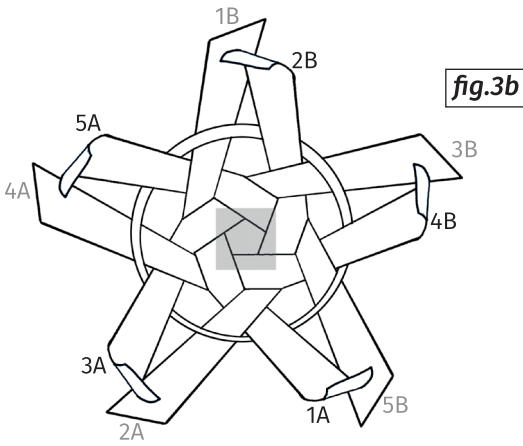


fig.3b

**STEP five**

When the sphere construction has been completed it should look like a woven interlaced sphere **fig.5**.

You can now remove the inside piece of sticky tape (that was positioned over the hole), gingerly unsticking it from the outside by carefully poking and pushing it inwards.

**STEP six/seven**

The last thing to be constructed is the **hanging strip 7A** (chord). This has been designed to be narrower at the '**7A**' end.

Carefully fold the whole length along the two white dotted lines **fig.6**. Fold in the white edge first inside the central panel **fig.6a** then the other edge over this **fig.6b**. Press the whole length flat.

To convert the strip into a hoop bend it round so that the ends can meet. As you do this, thread it in and out of any two holes of the sphere, and then join its ends together by inserting the narrow end into the wider end. **fig.7/7a** **JOB DONE!**

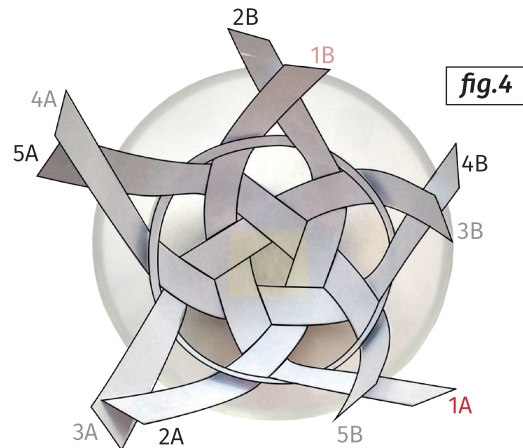


fig.4



fig.4a



fig.4b



fig.5

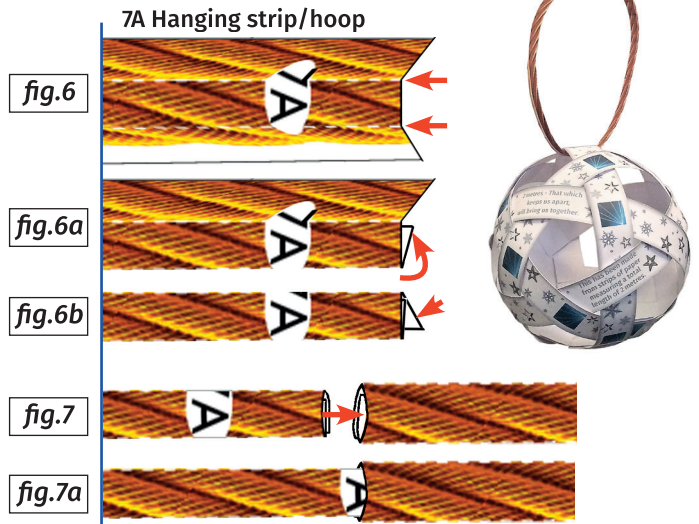


fig.6

fig.6a

fig.6b

fig.7

fig.7a

